

## Air Powered Load Moving Equipment to the Material Handling Industry

### Remote Control Units For Air Bearing Load Moving Systems

**REMOTE CONTROL UNITS** (RCS) are available for all air bearing load moving systems - whether purchased in 4 or 6 bearing kits or custom built to your own specifications. Remote control boxes can certainly make the job operation easier, and allow the operator to have full control over the load moving process.

**EACH INDIVIDUAL MODULE** can be controlled from the RCS. This process has the advantage of being able to increase or decrease air pressure to the load modules as necessary, which might be the case when moving a load of unequal weight distribution, or switching to loads of different uneven weights.

**THE RCS REQUIRES CLEAN, FILTERED, oil-free air** for trouble-free operation. The main air supply should be at least 5 bar for consistent load bearing operation.

Each remote control unit is supplied with:

- Control box enclosure with lifting handle.
- Remote control pendant with 5 metre line.
- Four "air out" hoses - 2 x 7.5m and 2 x 5m lengths - unless otherwise specified.
- Four "air out" pressure gauges and one main air supply pressure gauge.
- Four quick-disconnect sets for hoses - sized as required.
- Four hi-volume air regulators with manifold.
- Toolern Engineering Supplies excellent after sales support.

Please do not hesitate to contact us to discuss your remote control system and load moving needs. We are sure to have a solution that is just right for you.

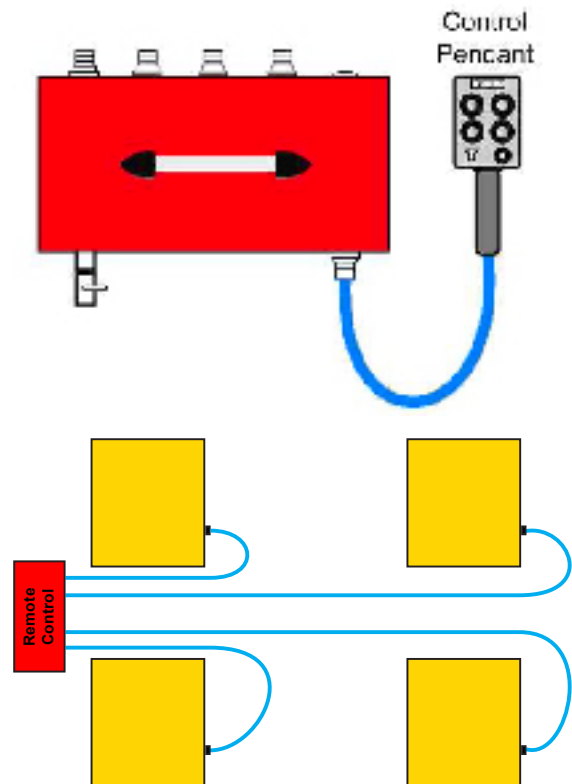
*Lockheed Martin, Boeing, Cirque du Soleil, Goodrich Aerostructures and Pilkington all use pneumatic powered air skate load moving systems*



*Above: A typical AirGlide Systems remote control unit complete with hand held control pendant.*

*Below: A diagram - not to scale - of a typical remote control unit showing rear line feeds.*

*Bottom: A typical air bearing kit system diagram linked to a remote control system.*



For comprehensive information on air film technology and how air bearings work, check out the manufacturer's web site: [www.hovair.com](http://www.hovair.com)

Contact Your  
Local Dealer

Toolern Engineering Supplies Pty Ltd. P.O. Box 249, Melton, Victoria, Australia 3337  
Phone: 03 9743 1209 • Fax: 03 9747 0973 • Email: [info@toolern.com.au](mailto:info@toolern.com.au) • Web site: [www.toolern.com.au](http://www.toolern.com.au)